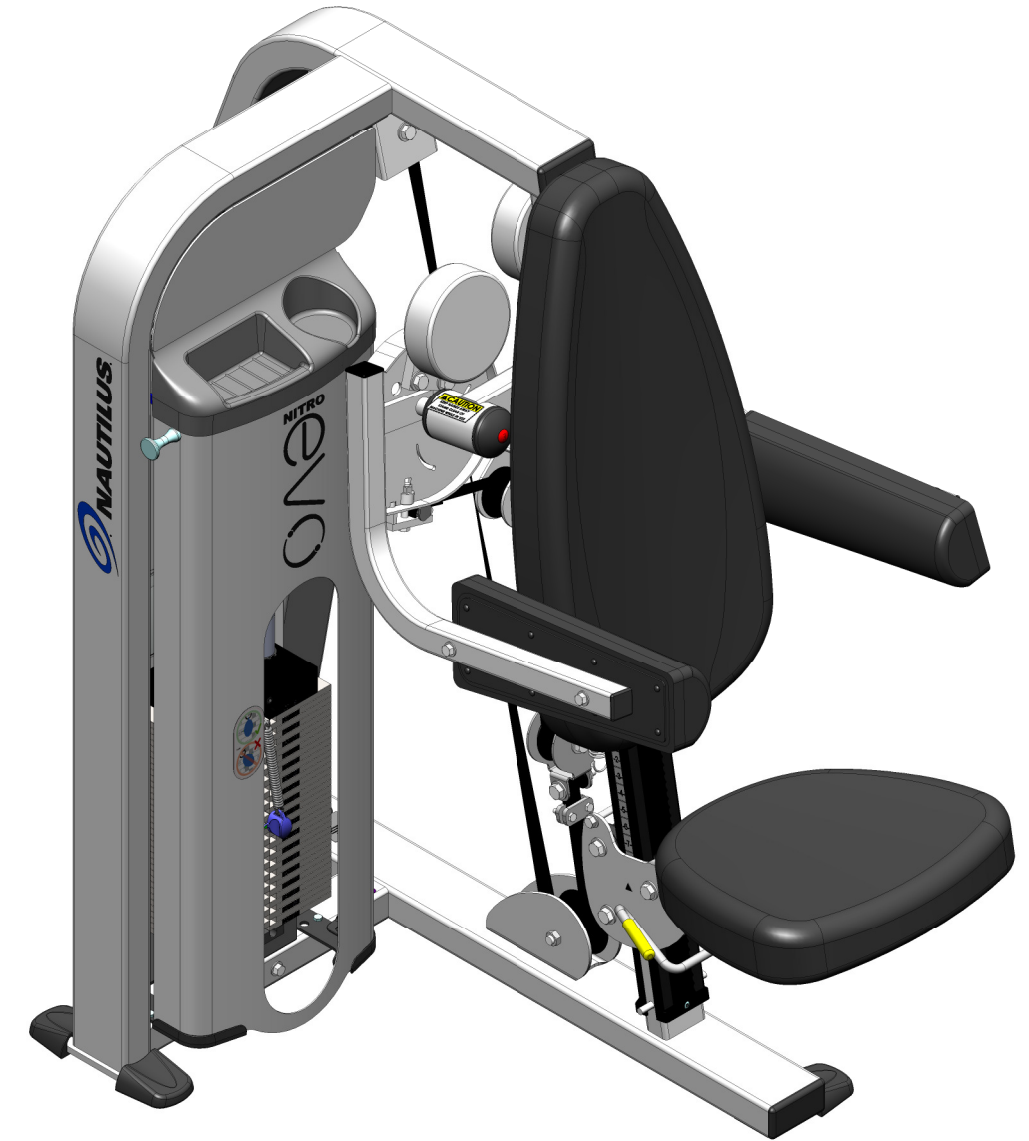




Red: PAINTED ITEMS
Blue: KITS

1. All labeled components are to be assembled before shipment unless otherwise noted.
2. All bearings are to be pressed in with force applied to outer ring only.
3. All hardware to be torqued to specs listed in chart below.
4. Special notes if any are shown below.

PART NO.	QTY.	DESCRIPTION	PART NO.	QTY.	DESCRIPTION
01-0011	1	1/2 -13 UNC x 3 Bolt	09-3064	2	1/2" DIA HOLE PLUG
01-1115	6	3/8 -16 UNC x 2 1/2 Bolt	09-3072	1	3/8" DIA HOLE PLUG
01-1185	2	3/8 -16 UNC x 3 1/2 Bolt	09-5046	4	Nitro Plus Footpad
01-1282	4	1/2 -13 UNC x 1 1/2 Bolt	09-8000	2	Belt Keeper
01-1321	2	1/2 -13 UNC x 2 1/2 Bolt	09-8018	2	GUIDE ROD BUSHING
01-1331	3	1/2 -13 UNC x 2 3/4 Bolt	09-8323	4	2" MOLDED PULLEY
01-1553	1	3/8 -16 UNC x 4 1/2 Bolt	09-8329	1	WIDE PULLEY 3" DIA
01-1564	3	1/2 -13 UNC x 4 1/2 Bolt	09-8330	1	REDIRECTIONAL PULLEY 4"
01-4035	4	1/4 -20 UNC x 1 1/4 Wiz Lock Bolt	09-8990	1	MOLDED BELT ROLLER
01-4038	1	BOLT BH , 1/2 -13 x 2 1/2"	09-9007	2	Sleeve
02-1060	2	BOLT BH , 1/4 -20 x 2 1/4"	10-1022	1	Extension Spring
02-9210	2	3/8 -16 UNC x 1 Bolt	10-1025	1	SPRING, TORSION
02-9250	2	3/8 -16 UNC x 2 1/4 Bolt	12-1001	1	SEAT INDICATOR BLACK
03-1035	3	3/8" Lock Nut	12-1026	2	DECAL, KEEP HANDS AWAY
03-1055	13	1/2" Nylon Insert Lock Nut-Thin	12-1104	1	SEAT ADJUSTMENT DECAL 1-11
03-4290	4	1/4" Whiz Nut	12-1146	1	SEAT ADJ DECAL 1
03-5101	2	1/4" Hex Nut	12-1155	2	CLIP RED PINE TREE CUT OFF
03-5103	2	3/8" Hex Nut	12-1380	1	DECAL PATENT MEDFIT MADE IN USA
04-2015	2	WASHER, FLAT, 1/4" SAE Black	12-5611	1	Nautilus Transfer Decal - Large BLACK
04-5206	13	WASHER, FLAT, 3/8" SAE	12-6046	1	Made In USA - Seat Frames
04-5207	13	WASHER, FLAT, 1/2" SAE	12-6057	1	PLACARD & SHIELD FRONT S9LR
05-5105	2	.500 ID Bushing (IGUS Replacement)	12-6074	1	PLACARD & SHIELD BACK S9IP, S9LATP, S9LR, S9OP, S9PF
06-8180	1	Snap Ring, 1/2" External	12-6112	1	Decal, Parts Diagram EVO LR
06-8275	6	Snap Ring, 17mm Heavy External	12-7050	1	EVO Weight Selector Pin Decal
07-5032	1	SEAT TRACK	17-1260	2	STANDARD 45" GUIDE ROD
07-5033	1	SEAT TRACK BACK	18-0006 (67")	1	MECTROL BELT 1" (67")
07-5034	3	SEAT ROLLERS	18-0018 (111")	1	BELT MECTROL 111" Length
07-5064	6	6203 RADIAL BEARING	19-1013	4	TAPE DBL SIDED 2 3/4" WIDE
07-8230	1	STANDARD SEAT CLEVIS PIN	19-1291	1	SERIAL NO. DECAL
07-8359	2	IDLER PULLEY SPACER	32-0001	1	PAD SEAT STANDARD "ONE" CONTOURED
07-8363	2	IDLER PULLEY SPACER	32-0022	1	UPH. PAD BACK LONG
07-8686	1	STANDARD SEAT 0 degree	57-0611	1	Pocket, Peel & Stick, Cardio Schematic
07-8982	4	STRAP CLAMP END (5/16 HOLES)	91-999	1	Paint (1.5 lbs)
07-9269	1	WEIGHTSTACK SPACER	95-0470	1	Kit 1, EVO Shields
07-9376	3	SEAT ROLLER SLEEVE	BF606B	1	LR BACK FRAME
07-9760	8	IDLER PULLEY SPACER	CW600B	2	LR COUNTERWEIGHT ASSEMBLY
07-9850	4	1" BEARING MOLDED FLANGE	LK631	2	BELT CLAMP
07-9873	2	MOLDED BEARING CAP WITH HOLE	MA610B	1	LEFT MOVEMENT ARM S9LR
07-9902	1	TRAVEL PULLEY MOUNT	MA611B	1	RIGHT MOVEMENT ARM S9LR
07-9944	2	MOLDED BEARING CAP, Ti SERIES	OPT-WT-26	1	EVO 200 lb Weight System
09-1004	1	.500 ID X 3" CLOSED END	SE613	1	RELEASE HANDLE
09-2020	4	1 1/2 SQ 11 GA FRAME PLUG	UP9015	2	LATERAL RAISE ARM PAD
09-3055	3	2 X 4 11 GA FRAME PLUG			



EVO LATERAL RAISE S9LR

Bolt Torque Specifications		
Size	Grade 5	Grade 8
	Torque (ft-lbs)	Torque (ft-lbs)
1/4-20	8	12
1/4-28	10	14
5/16-18	17	25
3/8-16	30	45
7/16-14	50	70
1/2-13	75	110
1/2-20	90	120
5/8-11	150	220
5/8-18	180	240

Customer Service & Parts 800/ 235-2233
General Parts Requests: parts@medfitsys.com
Warranty Field Service Requests: servicerequest@medfitsys.com
Med-Fit Systems, Inc. 800/ 831-7665

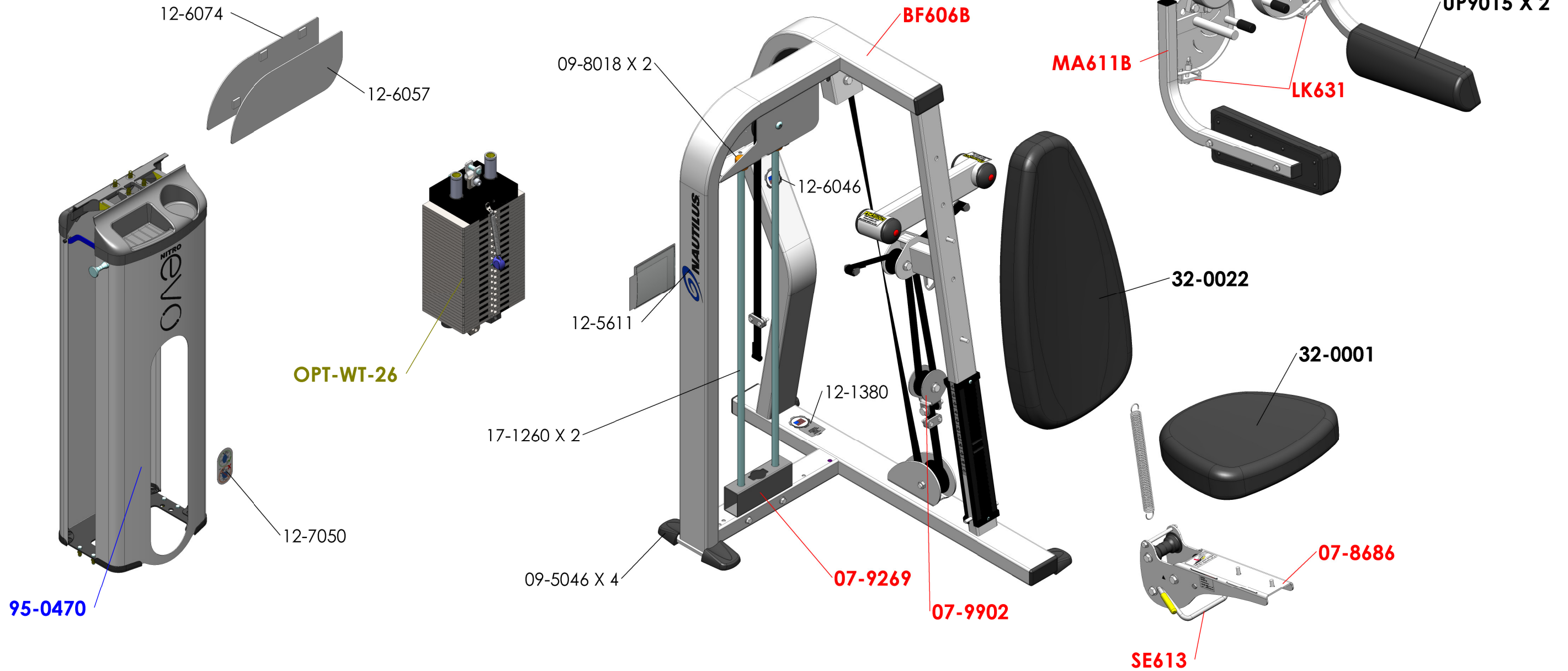
www.medfitsystems.com

REV K



Red: PAINTED ITEMS
Blue: KITS

1. All labeled components are to be assembled before shipment unless otherwise noted.
2. All bearings are to be pressed in with force applied to outer ring only.
3. All hardware to be torqued to specs listed in chart below.
4. Special notes if any are shown below.



Customer Service & Parts 800/ 235-2233
 General Parts Requests: parts@medfitsys.com
 Warranty Field Service Requests: servicerequest@medfitsys.com
 Med-Fit Systems, Inc. 800/ 831-7665

www.medfitsystems.com

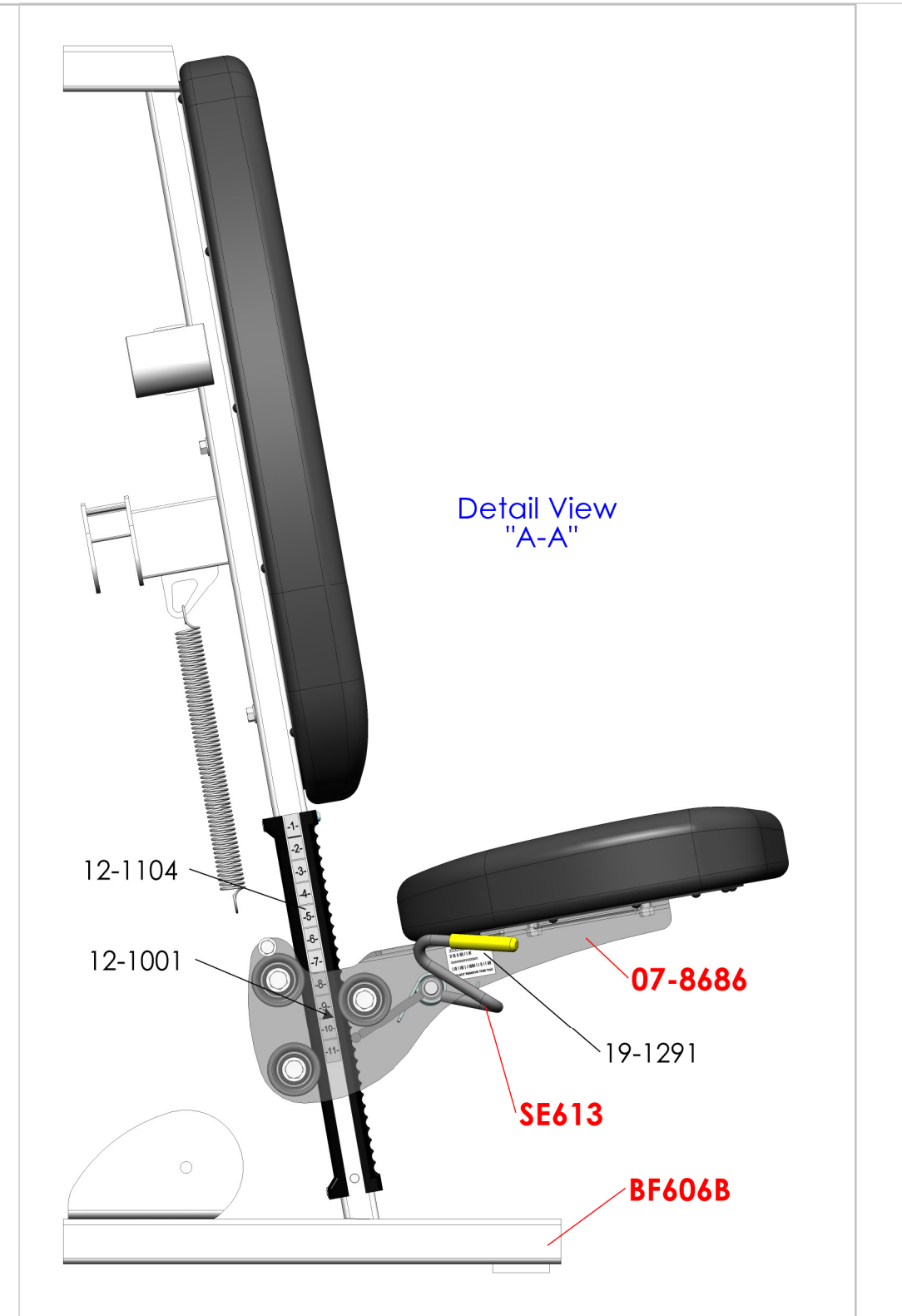
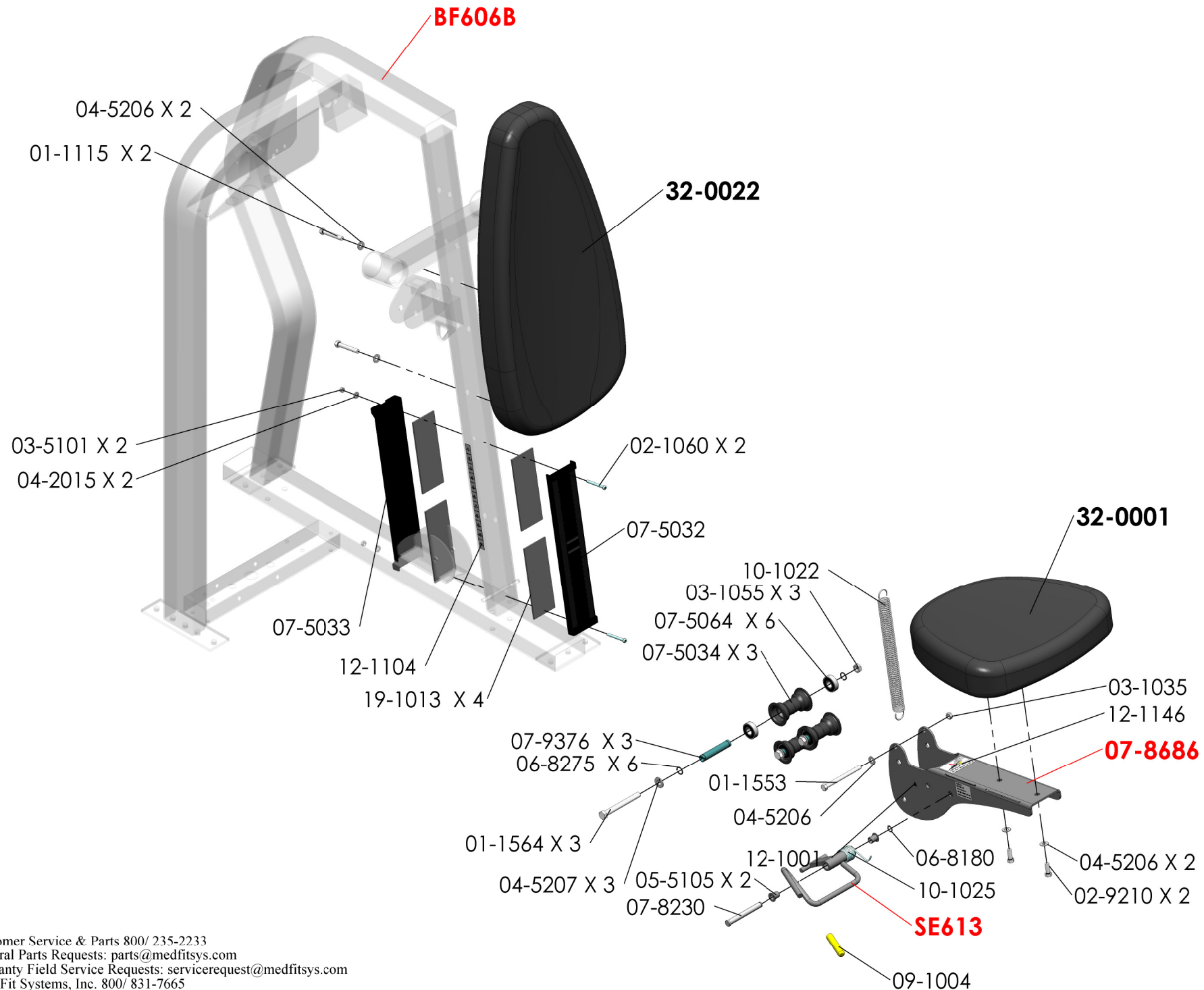
EVO LATERAL RAISE
S9LR

REV K



Red: PAINTED ITEMS
Blue: KITS

1. All labeled components are to be assembled before shipment unless otherwise noted.
2. All bearings are to be pressed in with force applied to outer ring only.
3. All hardware to be torqued to specs listed in chart below.
4. Special notes if any are shown below.



Customer Service & Parts 800/ 235-2233
 General Parts Requests: parts@medfitsys.com
 Warranty Field Service Requests: servicerequest@medfitsys.com
 Med-Fit Systems, Inc. 800/ 831-7665

www.medfitsystems.com

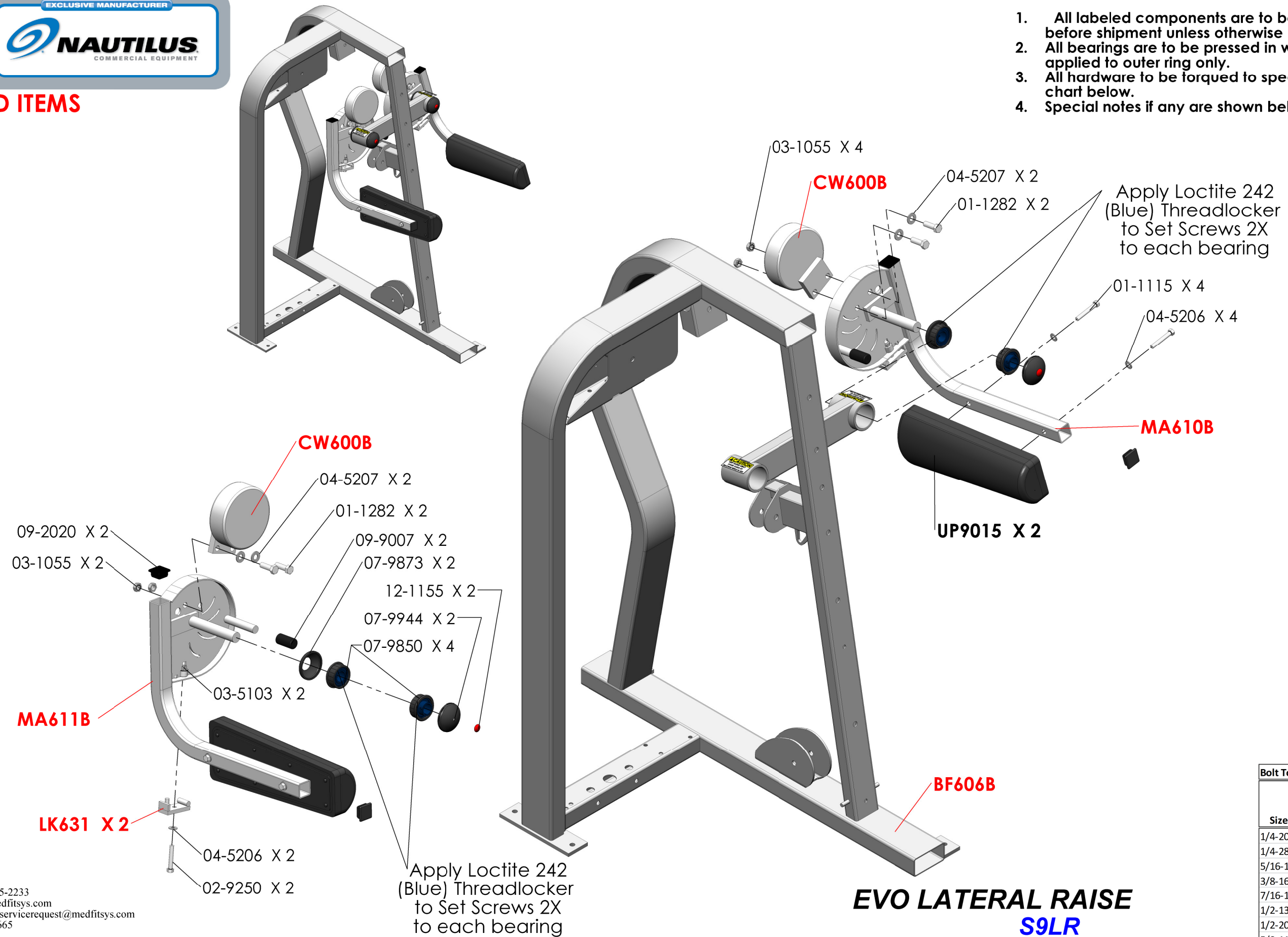
EVO LATERAL RAISE
S9LR

REV K



Red: PAINTED ITEMS
Blue: KITS

1. All labeled components are to be assembled before shipment unless otherwise noted.
2. All bearings are to be pressed in with force applied to outer ring only.
3. All hardware to be torqued to specs listed in chart below.
4. Special notes if any are shown below.



EVO LATERAL RAISE
S9LR

Bolt Torque Specifications		
Size	Grade 5	Grade 8
	Torque (ft-lbs)	Torque (ft-lbs)
1/4-20	8	12
1/4-28	10	14
5/16-18	17	25
3/8-16	30	45
7/16-14	50	70
1/2-13	75	110
1/2-20	90	120
5/8-11	150	220
5/8-18	180	240

Customer Service & Parts 800/ 235-2233
 General Parts Requests: parts@medfitsys.com
 Warranty Field Service Requests: servicerequest@medfitsys.com
 Med-Fit Systems, Inc. 800/ 831-7665

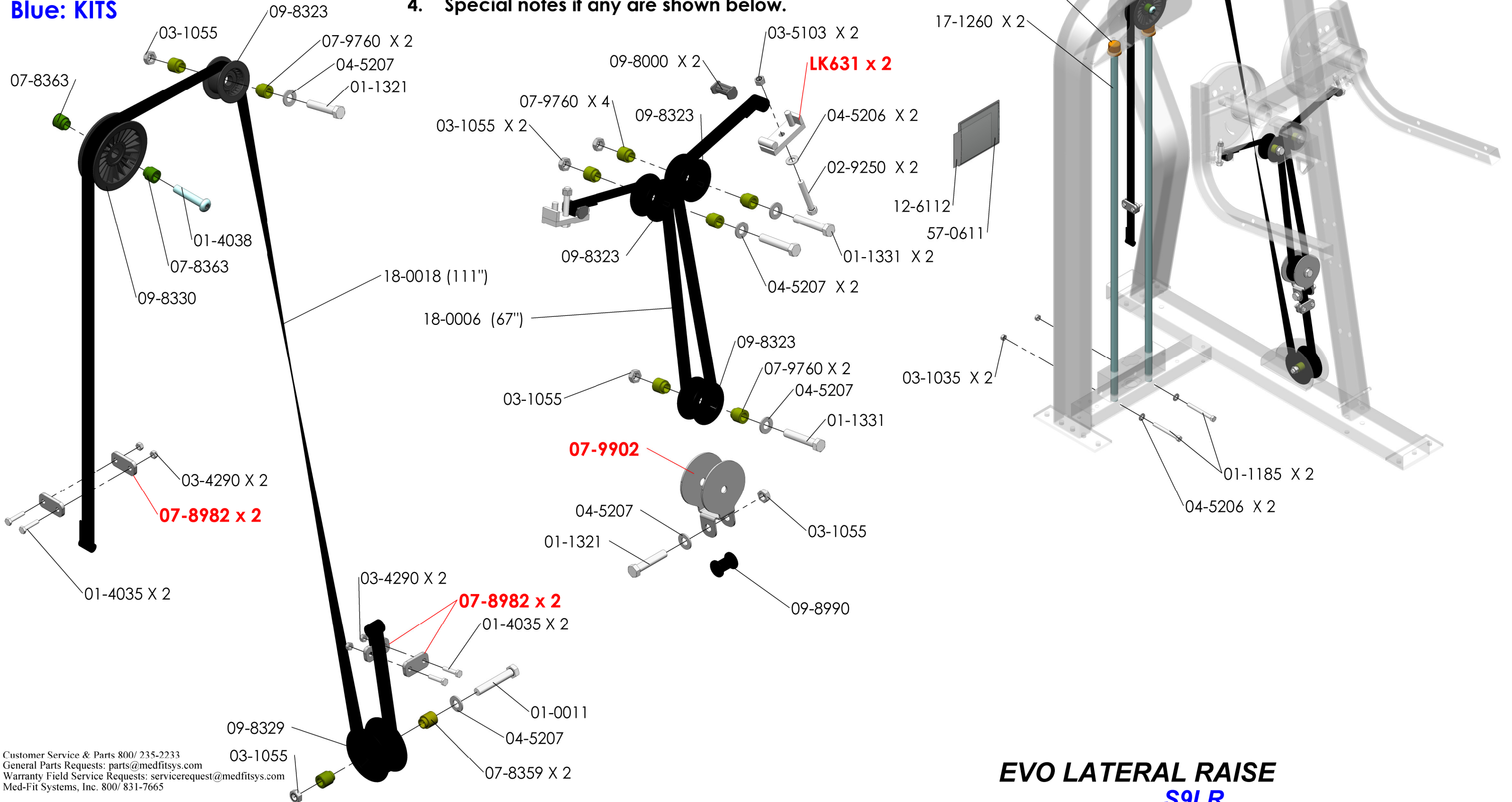
www.medfitsystems.com

REV K



Red: PAINTED ITEMS
Blue: KITS

1. All labeled components are to be assembled before shipment unless otherwise noted.
2. All bearings are to be pressed in with force applied to outer ring only.
3. All hardware to be torqued to specs listed in chart below.
4. Special notes if any are shown below.



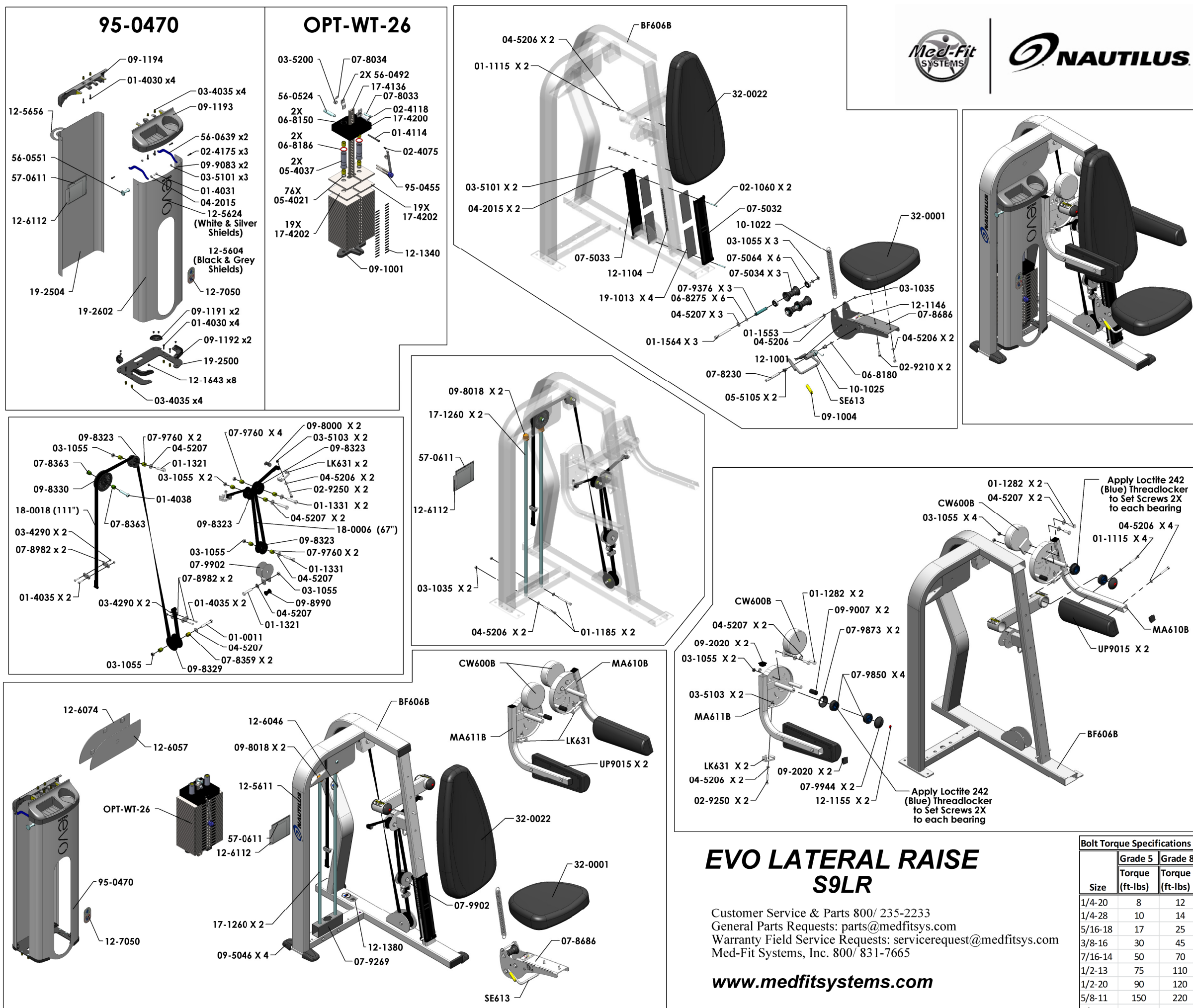
Customer Service & Parts 800/ 235-2233
 General Parts Requests: parts@medfitsys.com
 Warranty Field Service Requests: servicerequest@medfitsys.com
 Med-Fit Systems, Inc. 800/ 831-7665

www.medfitsystems.com

EVO LATERAL RAISE
S9LR

REV K

Number	QTY.	DESCRIPTION
01-0011	1	1/2 -13 UNC x 3 Bolt
01-1115	6	3/8 -16 UNC x 2 1/2 Bolt
01-1185	2	3/8 -16 UNC x 3 1/2 Bolt
01-1282	4	1/2 -13 UNC x 1 1/2 Bolt
01-1321	2	1/2 -13 UNC x 2 1/2 Bolt
01-1331	3	1/2 -13 UNC x 2 3/4 Bolt
01-1553	1	3/8 -16 UNC x 4 1/2 Bolt
01-1564	3	1/2 -13 UNC x 4 1/2 Bolt
01-4035	4	1/4 -20 UNC x 1 1/4 Wiz Lock Bolt
01-4038	1	BOLT BH, 1/2 -13 x 2 1/2"
02-1060	2	BOLT BH, 1/4 -20 x 2 1/4"
02-9210	2	3/8 -16 UNC x 1 Bolt
02-9250	2	3/8 -16 UNC x 2 1/4 Bolt
03-1035	3	3/8" Lock Nut
03-1055	13	1/2" Nylon Insert Lock Nut-Thin
03-4290	4	1/4" Whiz Nut
03-5101	2	1/4" Hex Nut
03-5103	2	3/8" Hex Nut
04-2015	2	WASHER, FLAT, 1/4" SAE Black
04-5206	13	WASHER, FLAT, 3/8" SAE
04-5207	13	WASHER, FLAT, 1/2" SAE
05-5105	2	.500 ID Bushing (IGUS Replacement)
06-8180	1	Snap Ring, 1/2" External
06-8275	6	Snap Ring, 17mm Heavy External
07-5032	1	SEAT TRACK
07-5033	1	SEAT TRACK BACK
07-5034	3	SEAT ROLLERS
07-5064	6	6203 RADIAL BEARING
07-8230	1	STANDARD SEAT CLEVIS PIN
07-8359	2	IDLER PULLEY SPACER
07-8363	2	IDLER PULLEY SPACER
07-8686	1	STANDARD SEAT 0 degree
07-8982	4	STRAP CLAMP END (5/16 HOLES)
07-9269	1	WEIGHTSTACK SPACER
07-9376	3	SEAT ROLLER SLEEVE
07-9760	8	IDLER PULLEY SPACER
07-9850	4	1" BEARING MOLDED FLANGE
07-9873	2	MOLDED BEARING CAP WITH HOLE
07-9902	1	TRAVEL PULLEY MOUNT
07-9944	2	MOLDED BEARING CAP, TI SERIES
09-1004	1	.500 ID X 3" CLOSED END
09-2020	4	1 1/2 SQ 11 GA FRAME PLUG
09-3055	3	2 X 4 11 GA FRAME PLUG
09-3064	2	1/2" DIA HOLE PLUG
09-3072	1	3/8" DIA HOLE PLUG
09-5046	4	Nitro Plus Footpad
09-8000	2	Belt Keeper
09-8018	2	GUIDE ROD BUSHING
09-8323	4	2" MOLDED PULLEY
09-8329	1	WIDE PULLEY 3" DIA
09-8330	1	REDIRECTIONAL PULLEY 4"
09-8990	1	MOLDED BELT ROLLER
09-9007	2	Sleeve
10-1022	1	Extension Spring
10-1025	1	SPRING, TORSION
12-1001	1	SEAT INDICATOR BLACK
12-1026	2	DECAL, KEEP HANDS AWAY
12-1104	1	SEAT ADJUSTMENT DECAL 1-11
12-1146	1	SEAT ADJ DECAL 1
12-1155	2	CLIP RED PINE TREE CUT OFF
12-1380	1	DECAL PATENT MEDFIT MADE IN USA
12-5611	1	Nautilus Transfer Decal - Large BLACK
12-6046	1	Made In USA - Seat Frames
12-6057	1	PLACARD & SHIELD FRONT S9LR
12-6074	1	PLACARD & SHIELD BACK S9IP, S9LATP, S9LR, S9OP, S9PF
12-6112	1	Decal, Parts Diagram EVO LR
12-7050	1	EVO Weight Selector Pin Decal
17-1260	2	STANDARD 45" GUIDE ROD
18-0006 (67")	1	MECTROL BELT 1" (67")
18-0018 (111")	1	BELT MECTROL 111" Length
19-1013	4	TAPE DBL SIDED 2 3/4" WIDE
19-1291	1	SERIAL NO. DECAL
32-0001	1	PAD SEAT STANDARD "ONE" CONTOURED
32-0022	1	UPH. PAD BACK LONG
57-0611	1	Pocket, Peel & Stick, Cardio Schematic
91-999	1	Paint (1.5 lbs)
95-0470	1	Kit 1, EVO Shields
BF606B	1	LR BACK FRAME
CW600B	2	LR COUNTERWEIGHT ASSEMBLY
LK631	2	BELT CLAMP
MA610B	1	LEFT MOVEMENT ARM S9LR
MA611B	1	RIGHT MOVEMENT ARM S9LR
OPT-WT-26	1	EVO 200 lb Weight System
SE613	1	RELEASE HANDLE
UP9015	2	LATERAL RAISE ARM PAD

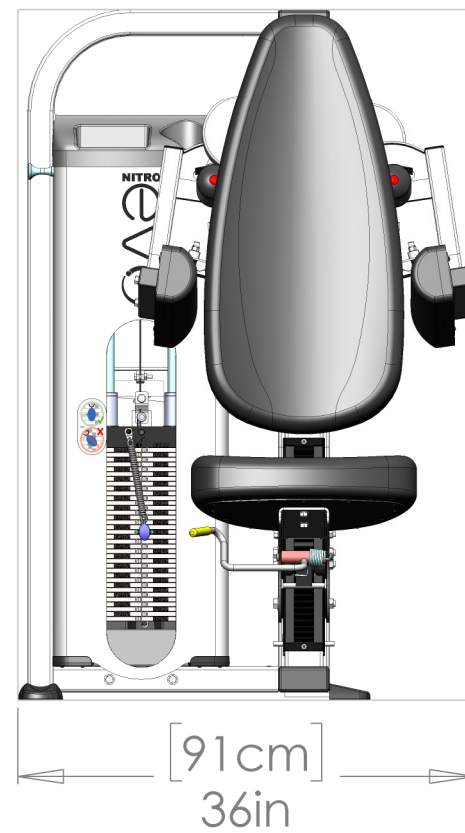
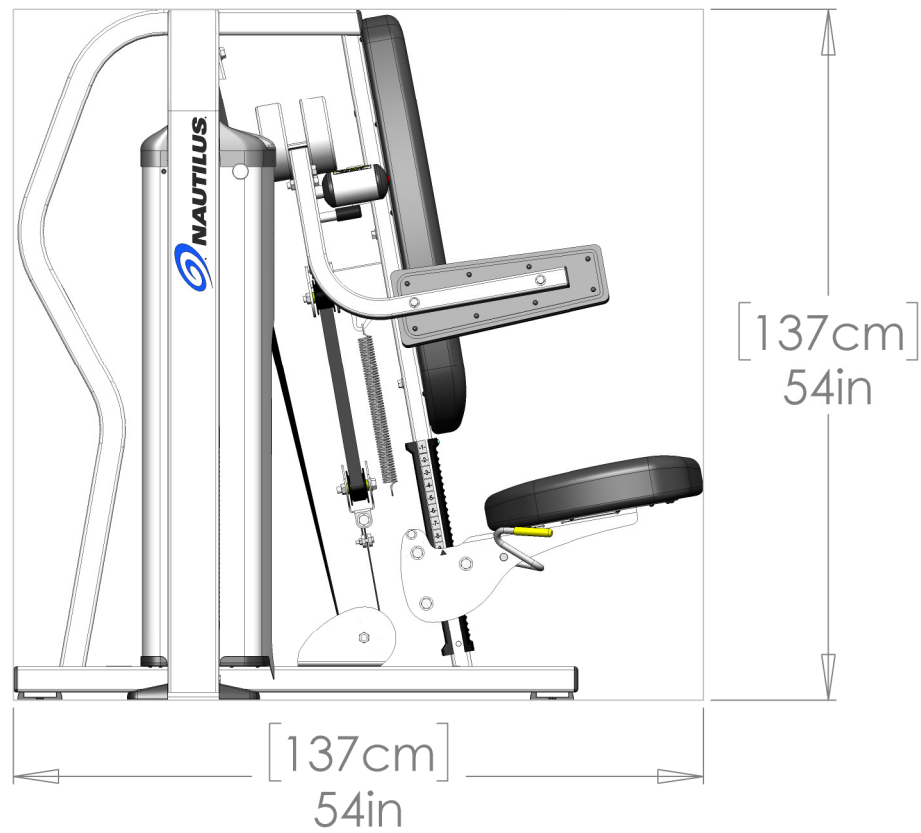
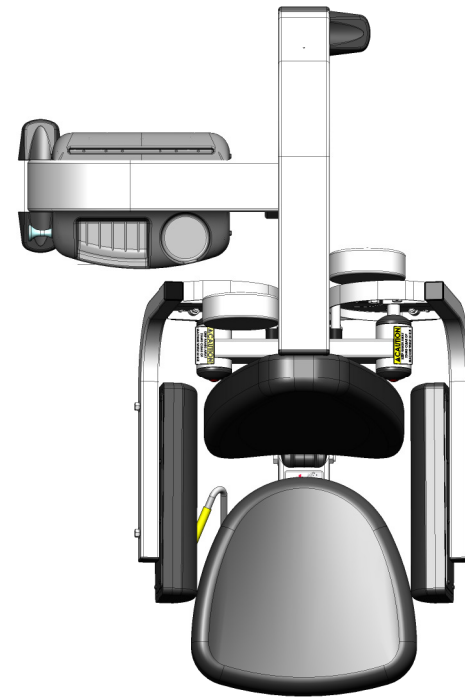


EVO LATERAL RAISE S9LR

Customer Service & Parts 800/ 235-2233
 General Parts Requests: parts@medfitsys.com
 Warranty Field Service Requests: servicerequest@medfitsys.com
 Med-Fit Systems, Inc. 800/ 831-7665

www.medfitsystems.com

Size	Grade 5	Grade 8
	Torque (ft-lbs)	Torque (ft-lbs)
1/4-20	8	12
1/4-28	10	14
5/16-18	17	25
3/8-16	30	45
7/16-14	50	70
1/2-13	75	110
1/2-20	90	120
5/8-11	150	220
5/8-18	180	240



Customer Service & Parts 800/ 235-2233
General Parts Requests: parts@medfitsys.com
Warranty Field Service Requests: servicerequest@medfitsys.com
Med-Fit Systems, Inc. 800/ 831-7665

www.medfitsystems.com

EVO LATERAL RAISE
S9LR

REV K